

Tubular Brass

Innovator® 591/592
For most regular tubs

Innovator® 598/599
For most deeper tubs

**Sturdy 1.5" 17g Tubular Brass
Slip-Joint Assembly
SPECIFICATIONS**

FEATURES:

- Eliminates all screws
- Eliminates leaks due to loose overflow attachment
- Eliminates dual inventory of one- and two-hole overflow plates
- Metal strainer body for cast iron or plastic tubs
- Designed for heavy-duty use in hotels, motels, and rental properties

APPROVALS:

- Manufactured in compliance with ASME A112.18.2-2005/CSA B125.2-2005.

PATENTS:

- <https://www.watcomfg.com/patents>

THREAD SIZE (Strainer Body and Drain Elbow):

- 1 1/2" - 11 1/2 NPSM (Coarse Thread)
- 1.865" Major Diameter (outside thread diameter)
- 11.5 threads per inch

PIPING:

- 17 Gauge (591/598) 20 Gauge (592/599)



 **ADA** PRESFLO® (PF) and
Foot Actuated (FA) only

OPTIONS:

- Brass Ferrules (add code "F" to part number)
- New York Lay-Down Tee (add code "NY" to part number)
- Slip-'N-Solder (no slip joints; code "U")
- Special lengths available:
 - Overflow extension (code "EXlength")
example: EX6
 - Drain extension (code "Dlength") example: D4
- W-Overflow Cover (see other side)

See price list for complete item numbers and available options.

When ordering, please specify complete item number and any applicable option codes.

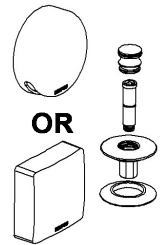
WATCO



For More Information Contact:
WATCO Manufacturing Company LLC
1220 South Powell Road
Independence, MO 64057-2724
Ph. 816-796-3900
www.watcomfg.com

STOPPER/FACEPLATE'S
(example: 591-LTSF-0-CP)

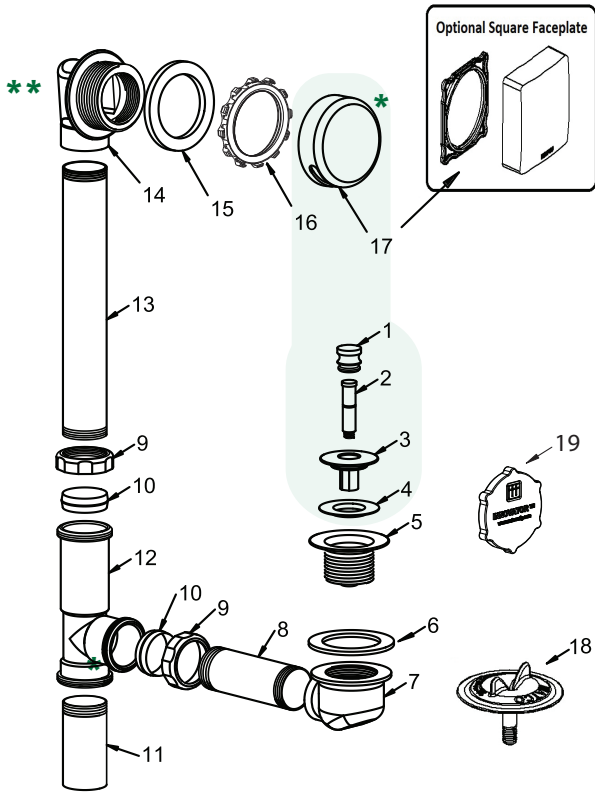
Made up of the overflow plate and stopper assembly; NO strainer body.
(See next page for available stopper assemblies.)



Finishes Available in the 591/598 Series:

Finishes Available in the 591/598 Series:	PUSH PULL®	LIFT & TURN	PRES-FLO®	FOOT ACT.	T42
AP - Aged Pewter	•	•	•		
BB - Brushed Bronze	•	•	•	•	
BN - Brushed Nickel	•	•	•	•	•
BO - Bone	•	•			
BS - Biscuit	•	•			
BZ - Oil-Rubbed Bronze	•	•	•	•	•
CB - Chrome Brushed	•	•	•	•	•
CP - Chrome Plated	•	•	•	•	•
NP - Nickel Polished	•	•	•	•	•
PB - Polished Brass	•	•	•	•	•
WH - White	•	•		•	
WI - Wrought Iron	•	•	•	•	

591/598 Series Parts List



Item	Part #	Description
1	01010CP	Knob, Brass
2	11584	Friction Ring (11504) and Post (11508)
3	01013CP	Stopper, Brass
4	11507	Seal, 1 1/16" dia.
5	01016CP	Strainer Body, Brass, 11/2" – 111/2
6	10696	Drain Ell Washer, 1.5", gray
7	44006	Drain Ell, Brass
8	17GA-4.75	For 591 Drain Ell Tube, 17g, 4.75"
	20GA-4.75	For 592 Drain Ell Tube, 20g, 4.75"
	17GA-9.625	For 598 Drain Ell Tube, 17g, 9.625"
	20GA-9.625	For 599 Drain Ell Tube, 20g, 9.625"
9	41580	Brass Slip Nut
10	11583	Slip Joint Polywasher
11	17GA-3.5	For 591 Tail Piece, 17g, 3.5"
	20GA-3.5	For 592 Tail Piece, 20g, 3.5"
	17GA-9.625	For 598 Tail Piece, 17g, 9.625"
	20GA-9.625	For 599 Tail Piece, 20g, 9.625"
12	44001	Brass Tee
13	17GA-9.625	For 591 Overflow Ell Tube, 17g, 9.625"
	20GA-9.625	For 592 Overflow Ell Tube, 20g, 9.625"
	17GA-18.125	For 598 Overflow Ell Tube, 17g, 18.125"
	20GA-18.125	For 599 Overflow Ell Tube, 20g, 18.125"
14	44005	Overflow Ell, Brass for Innovator®
15	10675	Overflow Ell Washer for Brass
16	11121	Star Retainer Nut for Innovator®
17	01005CP	Square Retainer Nut for Innovator®
	01007CP	Innovator® Overflow Plate
18	11577	Test Plug w/O-Ring-type Gasket
19	11114	Innovator® Test Cap

* SF: (example: 900-PPSF) Parts #1 thru #4, and #17

** RI: (example: 591-PPRI) Parts #5 thru #16, #18 and #19

OPTIONAL TUB CLOSURES FOR 591/598-SERIES BATH WASTES (PUSH PULL® ALSO SHOWN ABOVE)

PUSH PULL®
Coarse Thread

- 01010CP
01010__*
- 11584
- 01013CP
01013__*
- 11507
01016CP
01016__*

LIFT & TURN
Coarse Thread

- 01010CP
01010__*
- 11079
- 11088
- 11290CP
01013__*
- 11507
- 11492CP
01016__*

PRESFLO®
Coarse Thread

- 11145CP
11145__*
- 11132
- 11060CP
11060__*
- 96039:
Suction Cup
for removing
stopper

FOOT ACTUATED
Coarse Thread

- 38412-CP
38412-__*
- 11492-CP
01016-__*

*If finish other than Chrome is desired, please use this part number and indicate desired finish.

WITH OPTIONAL OVERFLOW COVER

Fits Kohler's Tea-for-Two tub.



591-__-BRS-CP-T42

BN-BZ-CB-NP-PB

Part #01001CP replaces
#01005CP (#17 above).

