

# Schedule 40



Model 610-PP  
Hub Adaptor

## Model 610

Tub Closure with Hub Adaptor

## Model 612

Tub Closure with Spigot Adaptor, PVC only

## Model 614

Tub Closure with Drain Elbow



Model 612-PP  
Spigot Adaptor

### Sturdy 1.5" Schedule 40 Fittings Solvent-Weld Assembly

#### SPECIFICATIONS

##### FEATURES:

- 1.25" deep metal strainer body
- Theft-resistant stopper
- Designed for heavy-duty use in hotels, motels, and rental property
- Replaceable, drip-proof Buna-N-Seal

##### APPROVALS (610/612 models):

- Manufactured in compliance with ASME A112.18.2-2005/CSA B125.2-2005

##### PATENTS:

- <https://www.watcomfg.com/patents/>

##### THREADS (Strainer Body and Drain Elbow):

- 1 1/2" – 1 1/2" NPSM (Coarse Thread)
- 1.865" Major Diameter (outside thread diameter)
- 11.5 threads per inch

##### PIPING: PVC ABS

Model 612 available in PVC only.

#### Finishes Available in the 610/612/614 Series:



Model 614-PP  
Drain Elbow

| Tub Closure:           | PUSH PULL® | LIFT & TURN | PRESFLO® | FOOT ACT. |
|------------------------|------------|-------------|----------|-----------|
| AP - Aged Pewter       | •          | •           | •        |           |
| BB - Brushed Bronze    | •          | •           | •        | •         |
| BN - Brushed Nickel    | •          | •           | •        | •         |
| BO - Bone              | •          | •           |          |           |
| BS - Biscuit           | •          | •           |          |           |
| BZ - Oil-Rubbed Bronze | •          | •           | •        | •         |
| CB - Chrome Brushed    | •          | •           | •        | •         |
| CP - Chrome Plated     | •          | •           | •        | •         |
| NP - Nickel Polished   | •          | •           | •        | •         |
| PB - Polished Brass    | •          | •           | •        | •         |
| WH - White             | •          | •           |          | •         |
| WI - Wrought Iron      | •          | •           | •        | •         |



**ADA**

PRESFLO® (PF) and  
Foot Actuated (FA) only

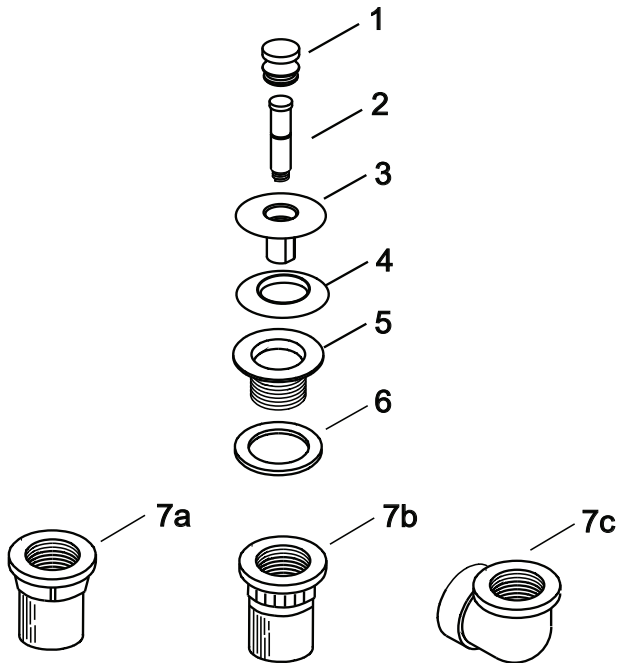
See price list for complete item numbers and available options.

When ordering, please specify complete item number and any applicable option codes.



For More Information Contact:  
**WATCO Manufacturing Company**  
1220 South Powell Road  
Independence, MO 64057-2724  
Ph. 816-796-3900 • FAX 816-796-0875  
[www.watcomfg.com](http://www.watcomfg.com)

# 610/612/614 Series Parts List



| Item        | Part #  | Description                            |
|-------------|---------|--|
| 1           | 01010CP | PUSH PULL® Knob, Brass                 |
| 2           | 11584   | Friction Ring (11504) and Post (11508) |
| 3           | 01013CP | Stopper, Brass                         |
| 4           | 11507   | Seal, 1 1/16" dia.                     |
| 5           | 01016CP | Strainer Body, 1.865" - 11.5           |
| 6           | 10696   | Drain Ell Washer, 1.5" gray            |
| <b>610:</b> |         |  |
| 7a.         | 11608   | Hub, Schedule 40, ABS                  |
|             | 11607   | Hub, Schedule 40, PVC                  |
| <b>612:</b> |         |  |
| 7b.         | 11610   | Spigot, Schedule 40, PVC only          |
| <b>614:</b> |         |  |
| 7c.         | 11008   | Drain Ell, Schedule 40, ABS            |
|             | 14008   | Drain Ell, Schedule 40, PVC            |

## OPTIONAL TUB CLOSURES FOR 610/612/614-SERIES BATH WASTES (PUSH PULL® ALSO SHOWN ABOVE)

|   |   |   |   |
|---|---|---|---|
| <p><b>PUSH PULL®</b><br/>Coarse Thread</p> <ol style="list-style-type: none"> <li>01010CP<br/>01010__*</li> <li>11584</li> <li>01013CP<br/>01013__*</li> <li>11507</li> <li>01016CP<br/>01016__*</li> </ol> | <p><b>LIFT &amp; TURN</b><br/>Coarse Thread</p> <ol style="list-style-type: none"> <li>01010CP<br/>01010__*</li> <li>11079</li> <li>11088</li> <li>11290CP<br/>01013__*</li> <li>11507</li> <li>11492CP<br/>01016__*</li> </ol> | <p><b>PRESFLO®</b><br/>Coarse Thread</p> <ol style="list-style-type: none"> <li>11145CP<br/>11145__*</li> <li>11132</li> <li>11060CP<br/>11060__*</li> <li>96039:<br/>Suction Cup<br/>for removing<br/>stopper</li> </ol> | <p><b>FOOT ACTUATED</b><br/>Coarse Thread</p> <ol style="list-style-type: none"> <li>38412-CP<br/>38412__*</li> <li>11492CP<br/>01016__*</li> </ol> |
|---|---|---|---|

*\*If finish other than Chrome is desired, please use this part number and indicate desired finish.*