

Tubular Plastic

Innovator® 590

For most tubs 14" - 16" high

**1.5" Tubular Plastic Bath Wastes
Slip-Joint Assembly
Now Coarse Thread**

SPECIFICATIONS

FEATURES:

- Eliminates all screws
- Eliminates leaks due to loose overflow attachment
- Eliminates dual inventory of one- and two-hole overflow plates; saves time on installation

APPROVALS:

- Manufactured in compliance with ASME A112.18.2-2005/CSA B125.2-2005.
- Manufactured in compliance with ASTM F 409-2002 and NSF/ANSI 14-2007.

PATENTS:

- <https://www.watcomfg.com/patents>

THREAD SIZE (Strainer Body and Drain Elbow):

- 1.865" - 11.5 NPSM (Coarse Thread)

PIPING: PVC ABS

ROUGH-IN (RI's) and STOPPER/FACEPLATE (SF's)



ADA

PRESFLO® (PF)
Foot Actuated (FA) only

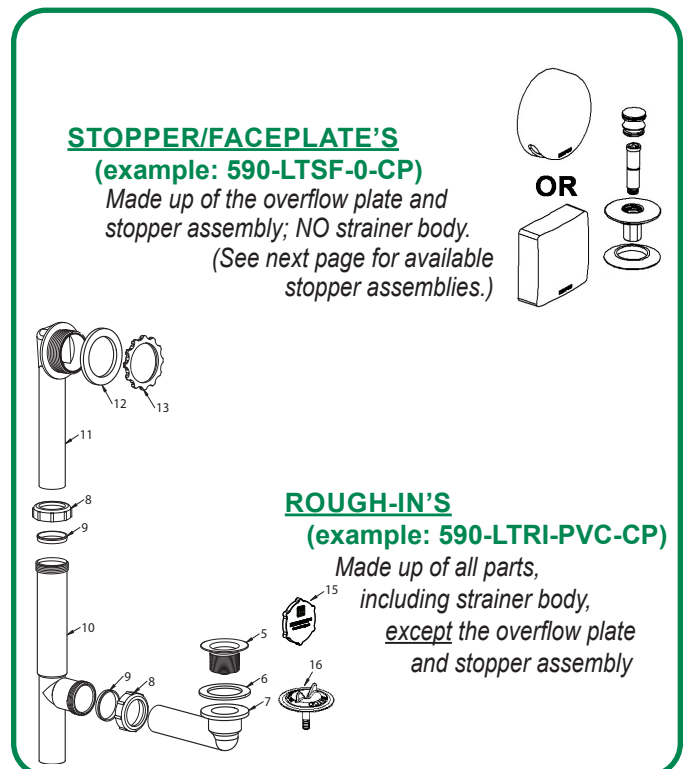
See price list for complete item numbers and available options.

When ordering, please specify complete item number and any applicable option codes.

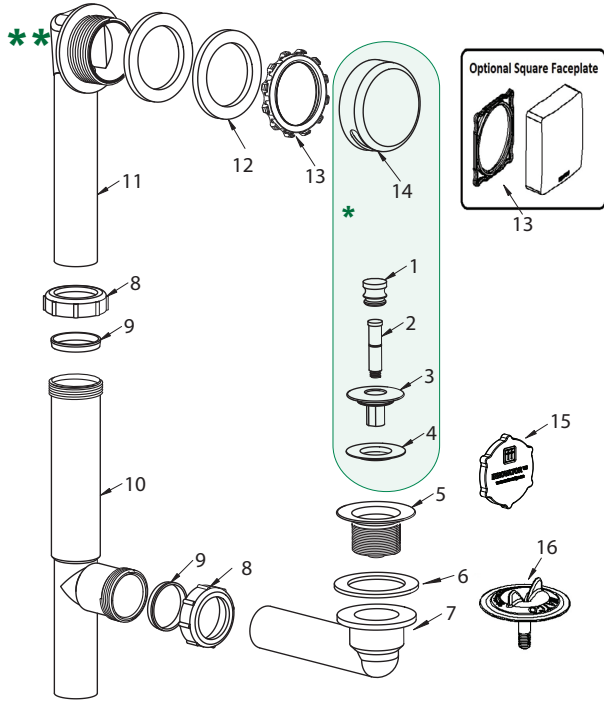
WATCO



For More Information Contact:
WATCO Manufacturing Company
1220 South Powell Road
Independence, MO 64057-2724
Ph. 816-796-3900 • FAX 816-796-0875
www.watcomfg.com



590 Series Parts List



Item	Part #	Description
1	01010CP	Knob, Brass
2	11584	Friction Ring (11504) and Post (11508)
3	01013CP	Stopper, Brass
4	11507	Seal, 1 1/16" dia.
5	01016CP	Strainer Body, Brass, 11/2" – 111/2
6	10696	Drain Ell Washer, 1.5", gray
7	11028	Drain Ell, Tubular ABS, Coarse Thread
	14028	Drain Ell, Tubular PVC, Coarse Thread
8	11580	Slip Joint Nut, ABS
	11581	Slip Joint Nut, PVC
9	11583	Slip Joint Polywasher
10	11000	Tee, Tubular ABS
	14000	Tee, Tubular PVC
11	11019	Innovator® Overflow Ell, Tubular ABS
	14019	Innovator® Overflow Ell, Tubular PVC
12	10675	Overflow Ell Washer, Foam
13	11121	ABS Star Retainer Nut for Innovator®
	11127	ABS Square Retainer Nut for Innovator®
14	01005CP	Overflow Plate for Innovator®
	01007CP	Square Face Plate for Innovator®
15	11114	Innovator® Test Cap
16	11577	Test Plug w/O-Ring-type Gasket

** RI: (example: 590-PPRI) Parts #5 thru #13, #15 and #16

* SF: (example: 900-PPSF) Parts #1 thru #4, and #14

OPTIONAL TUB CLOSURES FOR 590-SERIES BATH WASTES (PUSH PULL® ALSO SHOWN ABOVE)

PUSH PULL®
Coarse Thread

- 01010CP
01010__*
- 11584
- 01013CP
01013__*
- 11507
- 01016CP
01016__*

LIFT & TURN
Coarse Thread

- 01010CP
- 01010__*
- 11079
- 11088
- 11290CP
01013__*
- 11507
- 11492CP
01016__*

PRESFLO®
Coarse Thread

- 11145CP
11145__*
- 11132
- 11060CP
11060__*
- 96039:
Suction Cup
for removing
stopper

FOOT ACTUATED
Coarse Thread

- 38412-CP
38412-__*
- 11492-CP
01016-__*

*If finish other than Chrome is desired, please use this part number and indicate desired finish.

Finishes Available in the 590 Series:

Tub Closure:	PUSH PULL®	LIFT & TURN	PRESFLO®	FOOT ACT.
AP - Aged Pewter	•	•	•	
BB - Brushed Bronze	•	•	•	•
BN - Brushed Nickel	•	•	•	•
BO - Bone	•	•	•	
BS - Biscuit	•	•	•	
BZ - Oil-Rubbed Bronze	•	•	•	•
CB - Chrome Brushed	•	•	•	•
CP - Chrome Plated	•	•	•	•
NP - Nickel Polished	•	•	•	•
PB - Polished Brass	•	•	•	•
WH - White	•	•	•	•
WI - Wrought Iron	•	•	•	•

Roughing-In Dimensions

