

Tubular Plastic

SLIP LOCK® 500-SL TRIP LEVER

For most tubs 14" - 16" high

Durable 1.5" Tubular Plastic PVC or ABS
Now Coarse Thread

SPECIFICATIONS

FEATURES:

- SLIP LOCK® device automatically sets drop cylinder.
- Designed for heavy-duty use in hotels, motels, and rental property.
- Metal strainer body for cast iron or plastic tubs.
- Retainer plate for overflow elbow.

APPROVALS:

- Manufactured in compliance with ASTM F 409-2002 and NSF/ANSI 14-2007.
- Manufactured in compliance with CSA Standard B181.1 and CSA Standard B181.2

PATENTS:

- <https://www.watcomfg.com/patents>

OPERATION:

- Move trip lever, located on overflow plate, up to close drain and down to open drain.

THREAD SIZE (Strainer Body and Drain Elbow):

- 1 1/2" – 1 1/2" NPSM (Coarse Thread)
- 1.865" Major Diameter (outside thread diameter)
- 11.5 threads per inch

PIPING: PVC ABS

OPTIONS:

- Removable tailpiece and "O" Ring Seal (Code "RT1")
- Condensate Drain (Code "CD")
- Brass Drop Cylinder (Code "BD")
- Special lengths available:
 - Overflow extension (add code "EXlength")
example: EX6
 - Drain extension (add code "Dlength") example: D4

FINISHES:

Tub Closure:	Trip Lever
CP- Chrome Plated	•
BB- Brushed Bronze	•
BN- Brushed Nickel	•
BZ- Oil-Rubbed Bronze	•
CB- Chrome Brushed	•
NP- Nickel Polished	•
PB- Polished Brass	•
WH- White	•
WI- Wrought Iron	•



ADA

Trip Lever

See price list for complete item numbers and available options.

When ordering, please specify complete item number and any applicable option codes.

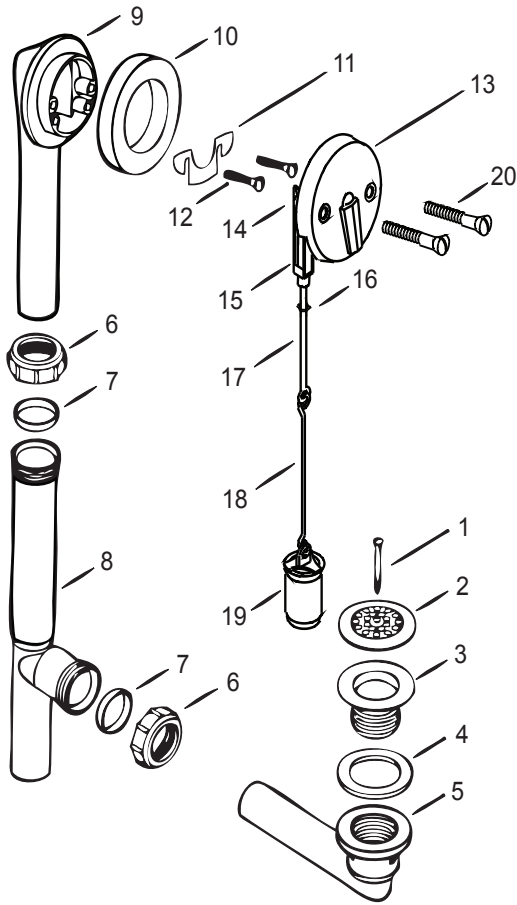
WATCO



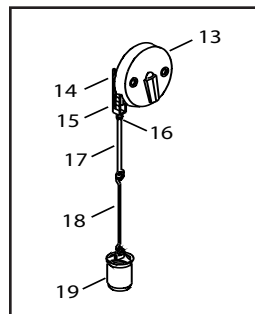
For More Information Contact:
WATCO Manufacturing Company
 1220 South Powell Road
 Independence, MO 64057-2724
 Ph. 816-796-3900 • FAX 816-796-0875

Always a step ahead www.watcomfg.com

500-SL Series Parts List



Item	Part #	Description
1	01040__*	Strainer Cover Plate Screw
2	01006__*	Strainer Cover Plate
3	11495CP	Trip Lever Strainer Body, Zinc, 11/2" - 11.5
4	10696	Drain Ell Washer, grey, 1.5"
5	11028	Drain Ell Tube, Tubular ABS, 11/2" - 11.5
	14028	Drain Ell Tube, Tubular PVC, 11/2" - 11.5
6	11580	Slip Joint Nut, ABS, 11/2"
	11581	Slip Joint Nut, PVC, 11/2"
7	11583	Slip Joint Polywasher, 11/2"
8	11000	Tee, Tubular ABS
	14000	Tee, Tubular PVC
9	11003	Overflow Elbow, Tubular ABS
	14003	Overflow Elbow, Tubular PVC
10	10675	Overflow Ell Washer, Foam
11	11530	Retainer Plate
12	11540	Retainer Plate Screw
13	10700__*	Trip Lever Faceplate Assembly
14	10930	Cotter Pin Special Annealed
15	10960	Slip Lock® Clevis with Head, Assembly
16	10962	Slip Lock® Release Button
17	10963	Slip Lock® Single-Loop Wire
18	11619	6.5" Double-Loop Wire
19	11005	Drop Cylinder for ABS
	14005	Drop Cylinder for PVC
20	01024__*	Screw, Overflow Plate, 2.25"



10770-(PVC or ABS)-__

Trip Lever faceplate assembly replacement for tubular plastic trip lever bath wastes.

Indicate PVC or ABS and finish desired.

Roughing-In Dimensions:

Model 500-SL

