

Tubular Brass

Innovator[®] 593 Direct Drain

For most tubs 14" - 16" high

**Sturdy 1.5" 17g Tubular Brass
Slip-Joint Assembly**

SPECIFICATIONS

FEATURES:

- Eliminates all screws
- Eliminates expensive test plug. Comes with an Innovator overflow test cap and a test plug with o-ring-type gasket
- Eliminates possible leaks due to loose overflow attachment
- Eliminates dual inventory of one- and two-hole overflow plates
- Saves time on installation

PATENTS (Innovator[®]):

- <https://www.watcomfg.com/patents>

THREAD SIZE (Strainer Body and Drain Tee):

- 1¹/₂" – 11¹/₂ NPSM (Coarse Thread)
- 1.865" Major Diameter (outside thread diameter)
- 11.5 threads per inch



ADA PRESFLO[®] (PF) and
Foot Actuated (FA) only

OPTIONS:

- Brass Ferrules (add code "F" to part number)
- Special lengths available:
 - Overflow extension (add code "EXlength")
example: EX6
 - Drain extension (add code "Dlength") example: D4

See price list for complete item numbers and available options.

When ordering, please specify complete item number and any applicable option codes.

Finishes Available in the 593 Series:

Tub Closures:	PUSH PULL [®] LIFT & TURN	PRESFLO [®]	FOOT ACT.
CP- Chrome Plated	•	•	•
AP- Aged Pewter	•	•	•
BB- Brushed Bronze	•	•	•
BN- Brushed Nickel	•	•	•
BO- Bone	•	•	
BS- Biscuit	•	•	
BZ- Oil-Rubbed Bronze	•	•	•
CB- Chrome Brushed	•	•	•
NP- Nickel Polished	•	•	•
PB- Polished Brass	•	•	•
WH- White	•	•	•
WI- Wrought Iron	•	•	•

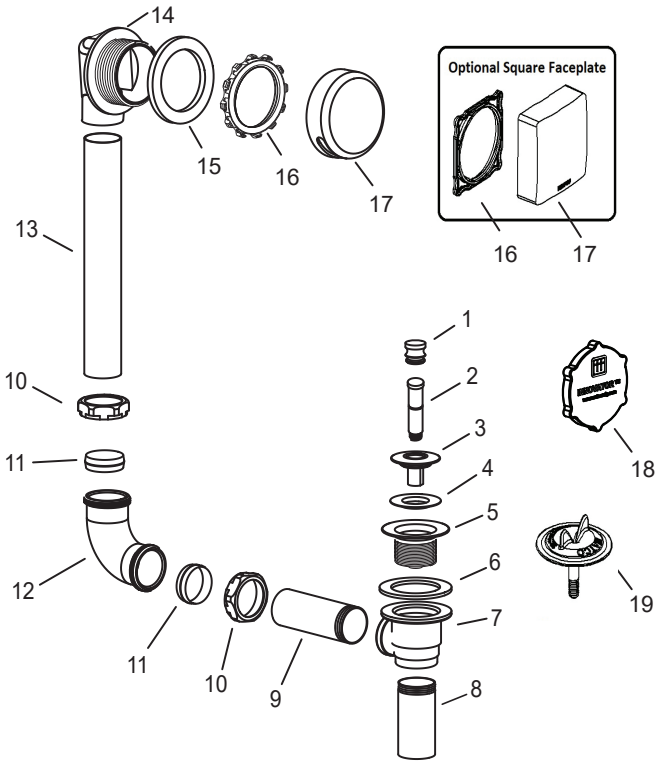
WATCO



Always a step ahead[®]

For More Information Contact:
WATCO Manufacturing Company
 1220 South Powell Road
 Independence, MO 64057-2724
 Ph. 816-796-3900 • FAX 816-796-0875
www.watcomfg.com

593 Series Parts List



Item	Part #	Description
1	01010__*	Knob, metal
2	11584	Friction Ring (11504) and Post (11508)
3	01013__*	Stopper, metal
4	11507	Seal, 1 1/16" dia.
5	01016__*	Strainer Body, metal, 1.865" - 11.5 - 1.25"
6	10696	Drain Ell Washer, 1.5", gray
7	44010	Direct Drain Tee, brass w/internal threads
8	17GA-6	Tail Piece, 17g brass, 6.0"
9	17GA-4.75	Drain Ell Tube, 17g brass, 4.75"
10	41580	Brass Slip Nut
11	11583	Slip Joint Polywasher
12	44011	Brass Elbow for Direct Drains
13	17GA-15.62	Overflow Ell Tube, 17g brass, 15.625"
14	44005	Brass Overflow Ell for Innovator®
15	10675	Overflow Ell Washer, Foam
16	11121	Star Retainer Nut for Innovator®
16	11127	ABS Square Retainer Nut for Innovator®
17	01004__*	Overflow Plate for Innovator®
17	01007CP	Square Face Plate for Innovator®
18	11114	Innovator® Overflow Ell Test Cap
19	11575	Green Test Plug with O-Ring Gasket Assy.

* Please indicate desired finish.

OPTIONAL TUB CLOSURES FOR 593-SERIES BATH WASTES (PUSH PULL® ALSO SHOWN ABOVE)

OPTIONAL TUB CLOSURES FOR 512-SERIES BATH WASTES (PUSH PULL® ALSO SHOWN ABOVE)

PUSH PULL®
Coarse Thread

- 01010CP
01010__*
- 11584
- 01013CP
01013__*
- 11507
- 01016CP
01016__*

LIFT & TURN
Coarse Thread

- 01010CP
01010__*
- 11079
- 11088
- 11290CP
01013__*
- 11507
- 11492CP
01016__*

PRESFLO®
Coarse Thread

- 11145CP
11145__*
- 11132
- 11060CP
11060__*
- 96039:
Suction Cup
for removing
stopper

FOOT ACTUATED
Coarse Thread

- 38412-CP
38412__-*
- 11492-CP
01016__-*

**If finish other than Chrome is desired, please use this part number and indicate desired finish.*