

Tubular Plastic

TURNSTYLE® 500-TS

For most tubs 14" - 16" high

TURNSTYLE® 550-TS

For most tubs up to 24" high

**1.5" Tubular Plastic Bath Wastes
Slip-Joint Assembly
Now Coarse Thread**

SPECIFICATIONS

FEATURES:

- Will fit most angle tubs.
- The look of a cable drive without the potential for behind-the-wall repair.
- Strainer body cover catches hair.
- Metal handle and strainer body.
- No stopper in drain elbow, therefore...
 - no stopper adjustments required
 - theft resistant
 - no stubbing-the-toe injuries
- Retainer plate for overflow elbow

APPROVALS:

- Manufactured in compliance with ASTM F 409-2002 and NSF/ANSI 14-2007.
- Manufactured in compliance with CSA Standard B181.1 and CSA Standard B181.2

PATENTS:

- <https://www.watcomfg.com/patents>

OPERATION:

- Turn overflow plate clockwise to close drain and counter-clockwise to open drain.

THREAD SIZE (Strainer Body and Drain Elbow):

- 1½" – 11½ NPSM (Coarse Thread)
- 1.865" Major Diameter (outside thread diameter)
- 11.5 threads per inch

PIPING: PVC ABS



Not to be used in above-the-floor rough-in.

OPTIONS:

- Removable tailpiece and O-Ring Seal (Code "RT1")
- Condensate Drain (Code "CD")
- Brass Drop Cylinder (Code "BD")
- Special lengths available:
 - Overflow extension (add code "EXlength")
example: EX6
 - Drain extension (add code "Dlength")
example: D4

See price list for complete item numbers and available options.

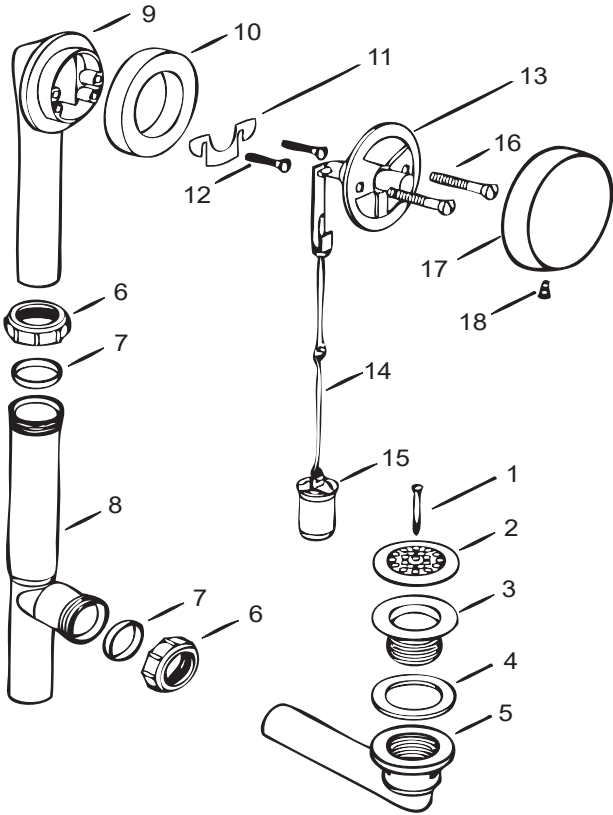
When ordering, please specify complete item number and any applicable option codes.

WATCO



For More Information Contact:
WATCO Manufacturing Company
1220 South Powell Road
Independence, MO 64057-2724
Ph. 816-796-3900 • FAX 816-796-0875
www.watcomfg.com

500-TS/550-TS Series Parts List



Item	Part #	Description
1	01040CP	Strainer Cover Plate Screw
2	01006CP	Strainer Cover Plate
3	11495CP	Zinc Strainer Body, 11/2" - 11.5"
4	10696	Drain Ell Washer, grey, 1.5"
5	11028	Drain Ell, Tubular ABS
	14028	Drain Ell, Tubular PVC
6	11581	Slip Joint Nut, white, 11/2"
7	11583	Slip Joint Polywasher, 11/2"
8	11000	Tee, Tubular ABS
	14000	Tee, Tubular PVC
9	11003	Overflow Elbow, Tubular ABS
	14003	Overflow Elbow, Tubular PVC
10	10675	Overflow Ell Washer, Foam
11	11530	Retainer Plate
12	11540	Retainer Plate Screw
13	20200CP	TURNSTYLE® Overflow Mount
14	10954	5.25" Double-Loop Wire
15	11005	Drop Cylinder for ABS
	14005	Drop Cylinder for PVC
16	01024CP	Overflow Plate Screw, 2.25"
17	20030CP	Cable Overflow Plate
18	20140	Cable Overflow Plate Locking Screw

Finishes:

Part #	Description	Tub Closure:	PUSH PULL®	LIFT & TURN	PRESFLO®	FOOT ACT.
10920	TL Clevis for TS					
10932	TS Brass Hex Nut 6-32					
10934	TS SS Mach. Screw 6-32					
10952	TL Linkage Nut					
10953	Top Linkage Eye Bolt					
20020CP	TS OF Mount w/Prongs					
20041	TS Turning Pin					
20042	TS Turning Pin Sleeve					
20043	Cable Stop					
		AP - Aged Pewter	•	•	•	•
		BB - Brushed Bronze	•	•	•	•
		BN - Brushed Nickel	•	•	•	•
		BO - Bone	•	•	•	•
		BS - Biscuit	•	•	•	•
		BZ - Oil-Rubbed Bronze	•	•	•	•
		CB - Chrome Brushed	•	•	•	•
		CP - Chrome Plated	•	•	•	•
		NP - Nickel Polished	•	•	•	•
		PB - Polished Brass	•	•	•	•
		WH - White	•	•	•	•
		WI - Wrought Iron	•	•	•	•

Part #13 (20200CP) consists of:	
10920	TL Clevis for TS
10932	TS Brass Hex Nut 6-32
10934	TS SS Mach. Screw 6-32
10952	TL Linkage Nut
10953	Top Linkage Eye Bolt
20020CP	TS OF Mount w/Prongs
20041	TS Turning Pin
20042	TS Turning Pin Sleeve
20043	Cable Stop

Roughing-In Dimensions:

