

Square Overflow
01007CP



Includes built-in test membrane Easily remove membrane after test Snap-on overflow plate. No screws

NOTE:
CONTACT WATCO WITH NAME OF MANUFACTURER AND TUB MODEL NUMBER SO CORRECT LENGTH OF FLEX TUBING CAN BE OBTAINED.



ADA

PRESFLO® (PF) and Foot Actuated (FA) only

See price list for complete item number and available options.

When ordering, please specify complete catalog number and option codes.

WATCO



Always a step ahead

For more information, contact:
WATCO Manufacturing Company
1220 South Powell Road
Independence, MO 64057-2724
Ph. 816-796-3900 • 800-821-8576
Fax 816-796-0875 • 800-399-2826
www.watcomfg.com

WatcoFlex®

SPECIFICATIONS

WatcoFlex® Features and Benefits:

- Eliminates four Schedule 40 solvent-weld field joints, resulting in significant installed-cost savings.
- Designed with a direct drain layout, which can be easier and faster to install.
- All joints are factory sealed and tested; no solvent weld.
- Eliminates the scrap that results from cutting and fitting and the need to provide extra pipe or sanitary tee.

Innovator® Features and Benefits:

- No screws to handle, install, or lose.
- No damage from errant screwdrivers.
- No need to caulk overflow gasket, which is flexible to compensate for the slope and curvature of different tubs.
- No callbacks; eliminates alignment problems and leaks.

Approvals:

- Non-corrugated, flexible PVC tubing.
- Manufactured in compliance with ASME A112.18.2-2005/CSA B125.2-05; and IAPMO PS 69-2006.

Patents:

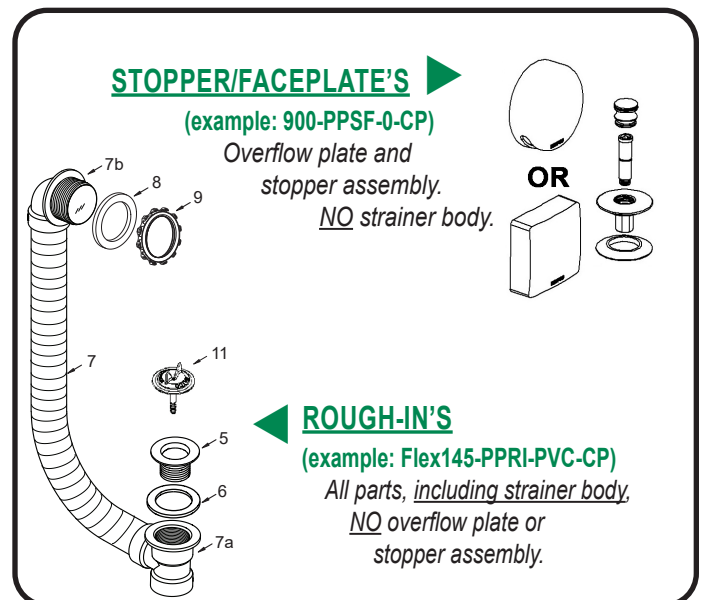
- <https://www.watcomfg.com/patents/>

Thread Size:

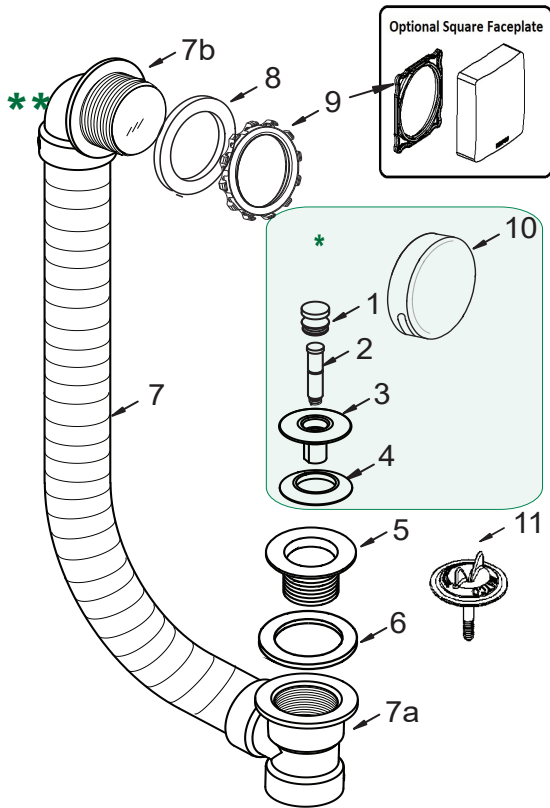
- 1½" – 11½" NPSM (Coarse Thread)
- 1.865" Major Diameter (outside thread diameter)
- 11.5 threads per inch

Piping: Schedule 40: PVC ABS

ROUGH-IN (RI's) and STOPPER/FACEPLATE (SF's)



WatcoFlex® Series

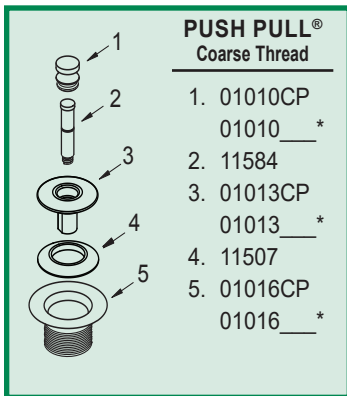


Item	Part #	Description
1	01010CP	Knob, Brass
2	11584	Friction Ring (11504) and Post (11508)
3	01013CP	Stopper, Brass
4	11507	Seal, 11/16" dia.
5	01016CP	Strainer Body, 1.865" - 11.5
6	10696	Drain EII Washer, 1.5" gray
Flexible PVC Tubing Factory-Assembled with:		
	11027	Direct Drain Tee, Schedule 40 ABS
	11020	Innovator® Overflow EII, Sch. 40 ABS
	11123	Innovator® Membrane, ABS/PVC blend
7	OR	
	14027	Direct Drain Tee, Schedule 40 PVC
	14020	Innovator® Overflow EII, Sch. 40 PVC
	11123	Innovator® Membrane, ABS/PVC blend
8	10675	Overflow EII Washer, Foam
9	11121	ABS Star Retainer Nut for Innovator®
	11127	ABS Square Retainer Nut for Innovator®
10	01004CP	Overflow Plate for Innovator®
	01007CP	Square Face Plate for Innovator®
11	11575	Test Plug with "O"-Ring-type Gasket

* SF: (example: 900-PPSF) Parts #1 thru #4, and #10

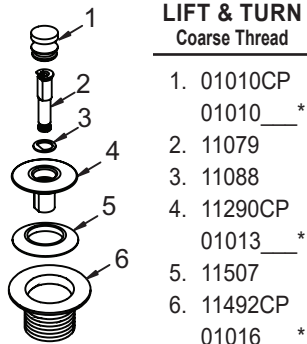
** RI: (example: FLEX145-PPRI) Parts #5 thru #9, and #11

OPTIONAL TUB CLOSURES FOR FLEX BATH WASTES (PUSH PULL® ALSO SHOWN ABOVE)



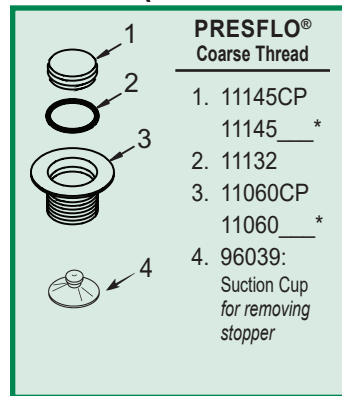
PUSH PULL® Coarse Thread

1. 01010CP
01010__*
2. 11584
3. 01013CP
01013__*
4. 11507
5. 01016CP
01016__*



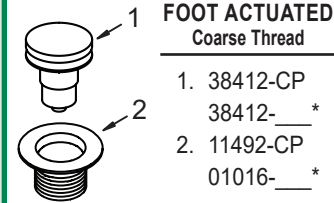
LIFT & TURN Coarse Thread

1. 01010CP
01010__*
2. 11079
3. 11088
4. 11290CP
01013__*
5. 11507
6. 11492CP
01016__*



PRESFLO® Coarse Thread

1. 11145CP
11145__*
2. 11132
3. 11060CP
11060__*
4. 96039:
Suction Cup
for removing
stopper



FOOT ACTUATED Coarse Thread

1. 38412-CP
38412-__*
2. 11492-CP
01016-__*

*If finish other than Chrome is desired, please use this part number and indicate desired finish.

WHEN ORDERING, PLEASE PROVIDE THE TUB MANUFACTURER AND MODEL NUMBER.

NOTE: The length portion of the product number will be determined by the tub's dimensions.

Examples:

FLEX145 will have 14.5" of flexible tubing;
FLEX170 will have 17.0" of flexible tubing.

NOTE: This product should not need to be stretched or compressed to fit the tub. If it does not fit easily, call the factory to get the correct size for that tub.

Finishes Available in the WatcoFlex Series:

Tub Closure:	PUSH PULL®	LIFT & TURN	PRESFLO®	FOOT ACT.
AP - Aged Pewter	•	•	•	
BB - Brushed Bronze	•	•	•	•
BN - Brushed Nickel	•	•	•	•
BO - Bone	•	•		
BS - Biscuit	•	•		
BZ - Oil-Rubbed Bronze	•	•	•	•
CB - Chrome Brushed	•	•	•	•
CP - Chrome Plated	•	•	•	•
NP - Nickel Polished	•	•	•	•
PB - Polished Brass	•	•	•	•
WH - White	•	•	•	•
WI - Wrought Iron	•	•	•	•