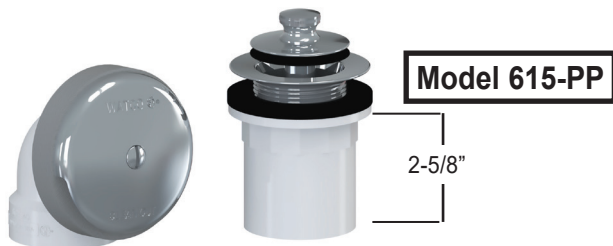
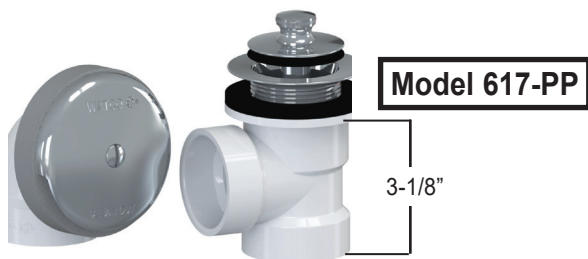


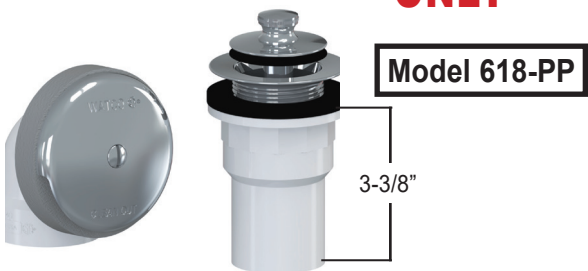
615 HUB ADAPTER



617 DIRECT DRAIN



618 SPIGOT - PVC ONLY



Model 615
Half Kit with Hub Adaptor

Model 617
Half Kit with Drain Tee

Model 618
Half Kit with Spigot Adaptor, PVC only

**Sturdy 1.5" Schedule 40 Fittings
Solvent Weld Assembly**

SPECIFICATIONS

FEATURES:

- 1.25" deep metal strainer body
- Theft-resistant brass stopper
- Designed for heavy-duty use in hotels, motels, and rental property
- Replaceable, drip-proof Buna-N-Seal

APPROVALS (615 models):

- Manufactured in compliance with ASME A112.18.2-2005/CSA B125.2-2005

PATENTS:

- www.watcomfg.com/patents

THREADS (Strainer Body and Drain Elbow):

- 1 1/2" – 1 1/2" NPSM (Coarse Thread)
- 1.865" Major Diameter (outside thread diameter)
- 11.5 threads per inch

PIPING: PVC ABS



2-HOLE OPTION

-2H

Add to end of part number.



ADA

PRESFLO® (PF) and
Foot Actuated (FA) only

See price list for complete item numbers and available options.
When ordering, please specify complete item number and any applicable option codes.

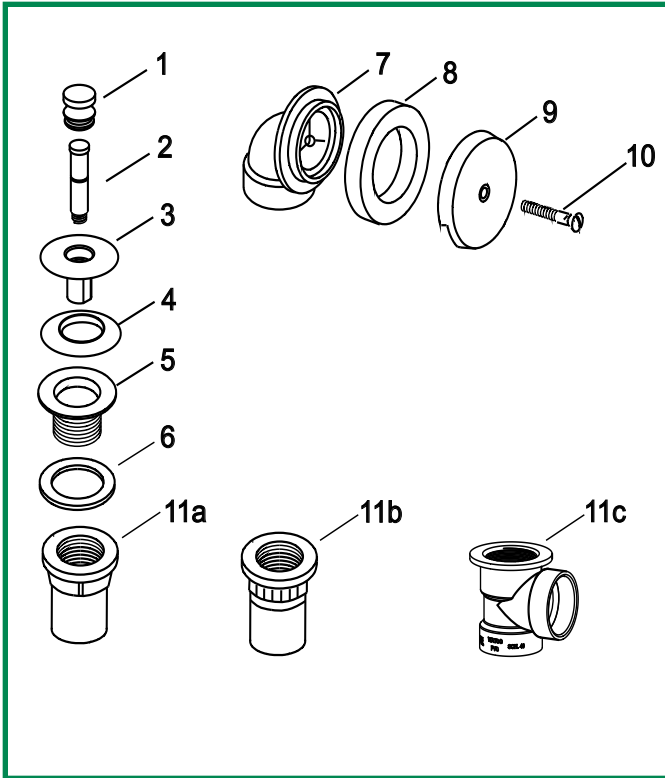


For More Information Contact:
WATCO Manufacturing Company
1220 South Powell Road
Independence, MO 64057-2724
Ph. 816-796-3900 • FAX 816-796-0875
www.watcomfg.com

Finishes Available in the 615/616/617 Series:

Finishes Available in the 615/616/617 Series:	PUSH PULL®	LIFT & TURN	PRESFLO®	FOOT ACT.
CP - Chrome Plated	•	•	•	•
AB - Antique Brass	•	•		
BB - Brushed Bronze	•	•	•	
BN - Brushed Nickel	•	•	•	•
BO - Bone	•	•		
BS - Biscuit	•	•		
BZ - Oil-Rubbed Bronze	•	•	•	•
CB - Chrome Brushed	•	•	•	
NP - Nickel Polished	•	•	•	•
PB - Polished Brass	•	•	•	•
WH - White	•	•		
WI - Wrought Iron	•	•	•	

615/617/618 Series Parts List



Item	Part #	Description
1.	01010CPPUSH PULL® Knob, Brass
2.	11510Friction Ring (11505) and Post (11532)
3.	01013CPStopper, Brass
4.	11507Seal, 1 1/16" dia.
5.	01016CPStrainer Body, 1.865" - 11.5
6.	10696Drain EII Washer, 1.5" gray
7.	11009Overflow EII, 1-Hole, Schedule 40, ABS
	14009Overflow EII, 1-Hole, Schedule 40, PVC
8.	10675Overflow EII Washer, Foam
9.	01002CPOverflow Plate, 1-Hole, metal
	01003CPOverflow Plate, 2-Hole, metal
10.	01024CPOverflow Plate Screw, 2.25"
For the 615:		
11a.	11608Hub, Schedule 40, ABS
	11607Hub, Schedule 40, PVC
For the 618:		
11b.	11610Spigot, Schedule 40, PVC only
For the 617:		
11c.	11027Direct Drain Tee, Schedule 40, ABS
	14027Direct Drain Tee, Schedule 40, PVC

OPTIONAL TUB CLOSURES FOR 615/617/618-SERIES BATH WASTES (PUSH PULL® ALSO SHOWN ABOVE)

Diagram	Series	Part List
	PUSH PULL® Coarse Thread	<ol style="list-style-type: none"> 01010CP 01010__* 11510 01013CP 01013__* 11507 01016CP 01016__*
	LIFT & TURN Coarse Thread	<ol style="list-style-type: none"> 01010CP 01010__* 11079 11088 11290CP 01013__* 11507 11492CP 01016__*
	PRESFLO® Coarse Thread	<ol style="list-style-type: none"> 11145CP 11145__* 11132 11060CP 11060__* 96039: Suction Cup for removing stopper
	FOOT ACTUATED Coarse Thread	<ol style="list-style-type: none"> 38412CP 38412__* 11492CP 01016__*

**If finish other than Chrome is desired, please use this part number and indicate desired finish.*