

Tubular Plastic Polypropylene

Model 515 Direct Drains

For most tubs 14" - 16" high

Durable 1.5" Tubular Polypropylene

SPECIFICATIONS

FEATURES:

- Metal strainer body for cast iron or plastic tubs
- Theft-resistant brass stopper
- Designed for heavy-duty use in hotels, motels, and rental property.
- Replaceable drip-proof Buna-N-Seal
- Retainer plate for overflow elbow

PATENTS:

- <https://www.watcomfg.com/patents/>

THREAD SIZE (Strainer Body and Drain Tee):

- 1 1/2" - 11 1/2 NPSM (Coarse Thread)
- 1.865" Major Diameter (outside thread diameter)
- 11.5 threads per inch

PIPING:

- Polypropylene



See price list for complete item numbers and available options.

When ordering, please specify complete item number

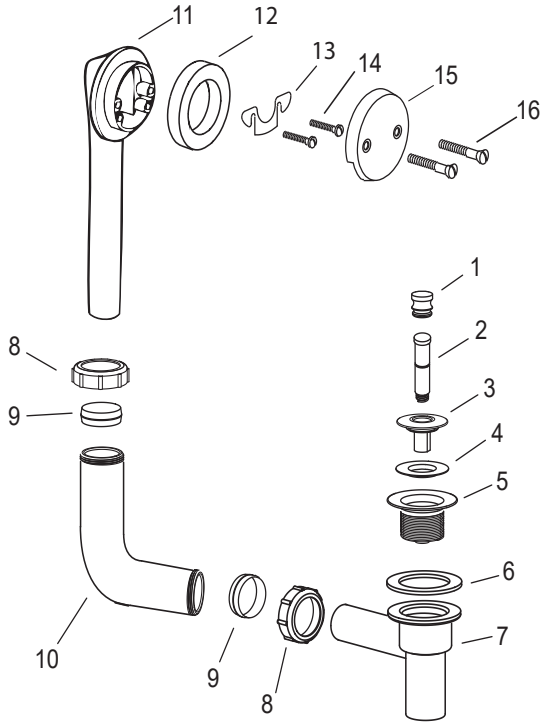
Finishes Available in the 515 Series:

Tub Closure:	PUSH PULL®	LIFT & TURN	PRESFLO®	FOOT ACT.
AP - Aged Pewter	•	•	•	
BB - Brushed Bronze	•	•	•	•
BN - Brushed Nickel	•	•	•	•
BO - Bone	•	•		
BS - Biscuit	•	•		
BZ - Oil-Rubbed Bronze	•	•	•	•
CB - Chrome Brushed	•	•	•	•
CP - Chrome Plated	•	•	•	•
NP - Nickel Polished	•	•	•	•
PB - Polished Brass	•	•	•	•
WH - White	•	•		•
WI - Wrought Iron	•	•	•	•



For More Information Contact:
WATCO Manufacturing Company
 1220 South Powell Road
 Independence, MO 64057-2724
 Ph. 816-796-3900 • FAX 816-796-0875
www.watcomfg.com

515 Direct Drain Series Parts List



Item	Part #	Description
1	01010CP	Knob, Brass
2	11584	Friction Ring (11504) and Post (11508)
3	01013CP	Stopper, Brass
4	11507	Seal, 1 1/16" dia.
5	01016CP	Strainer Body, Brass, 1.865" - 11.5 x 1.25"
6	10696	Drain Ell Washer, 1.5", gray
7	10081	Drain Tee for Direct Drain-Polypropylene
8	11581	Slip Joint Nut, White, 1.5"
9	11583	Slip Joint Polywasher, 1.5"
10	10080	Tee for Direct Drain-Polypropylene
11	10082	Overflow Ell for Direct Drain-Polypropylene
12	10675	Overflow Ell Washer, Foam
13	11530	Retainer Plate
14	11540	Retainer Plate Screws
15	01003CP	2-Hole Overflow Plate, Metal
16	01024CP	Screw, Overflow Plate, 2.25"

OPTIONAL TUB CLOSURES FOR 515-SERIES BATH WASTES (PUSH PULL® ALSO SHOWN ABOVE)

PUSH PULL®
Coarse Thread

- 01010CP
01010__*
- 11584
- 01013CP
01013__*
- 11507
- 01016CP
01016__*

LIFT & TURN
Coarse Thread

- 01010CP
01010__*
- 11079
- 11088
- 11290CP
01013__*
- 11507
- 11492CP
01016__*

PRESFLO®
Coarse Thread

- 11145CP
11145__*
- 11132
- 11060CP
11060__*
- 96039:
Suction Cup
for removing
stopper

FOOT ACTUATED
Coarse Thread

- 38412-CP
38412-__*
- 11492-CP
01016-__*

**If finish other than Chrome is desired, please use this part number and indicate desired finish.*