



Freezeless IOWA® Yard Hydrant Model Y34 & Y1

IOWA® hydrants are intended for irrigation purposes and used for filling field spray equipment, cleaning tools and equipment, lawn and garden care, watering livestock - immediate water flow even in sub zero temperatures.

Specifications:

Female Inlet: Model Y34 - 3/4" NPT
Model Y1 - 1" NPT

Casing: Model Y34 - 1" Galvanized Steel Pipe
Model Y1 - 1 1/4" Galvanized Steel Pipe

Operating Rod: 3/8" Galvanized Steel Pipe

Drain Hole: Tapped - 1/8" N.P.T.

Removable Nozzle: 3/4" Brass Male Hose Nozzle

Optional At Additional Cost:

- 1" brass pipe outer casing
- 3/8" brass pipe operating rod
- 1" NPSH hose nozzle

Features:

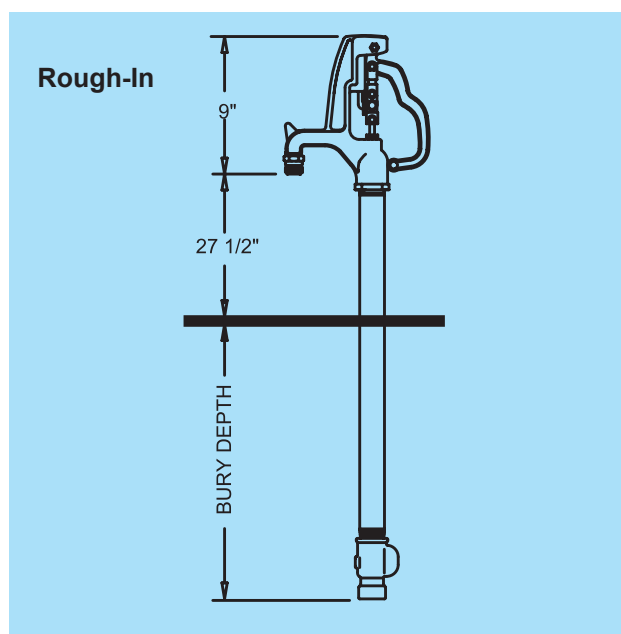
- **Adjustable Link** - Provides easy and positive adjustment of the lever lock tension.
- **Rod Guide** - Eliminates side pull on rod, reduces wear on packing, packing nut & stem.
- **Flow Finder and Lock** - A simple cam that can be set to automatically obtain the same flow each time or lock against accidental opening.
- **Long Life Packing** - Graphite packing for lubricity and long life.
- **One Piece Variable Flow Plunger** - Large cushion type seal for longer life - is not easily damaged and assures shut-off even when foreign particles are present. Automatic drain feature - plunger opens drain to prevent freezing - closes at any flow to prevent wasting water.
- **Maintenance & Repair** - Woodford has manufactured the IOWA® hydrant since 1929, and although many improvements have been made through the years, all parts are interchangeable. All repairs can be made from top of unit without removing hydrant from the ground.
- **Maximum Working Pressure:** 125 p.s.i.
- **Maximum Temperature:** 120° F

SHIPPING WEIGHT

| Bury Depth (Ft) | 1 | 2 | 3 | 4 | 5 | 6* | 7* |
|-----------------|----|----|----|----|----|----|----|
| Model Y34 (Lbs) | 15 | 17 | 19 | 22 | 24 | 26 | 28 |
| Model Y1 (Lbs) | 18 | 20 | 22 | 25 | 28 | 31 | 34 |

*Must ship by truck line due to length.

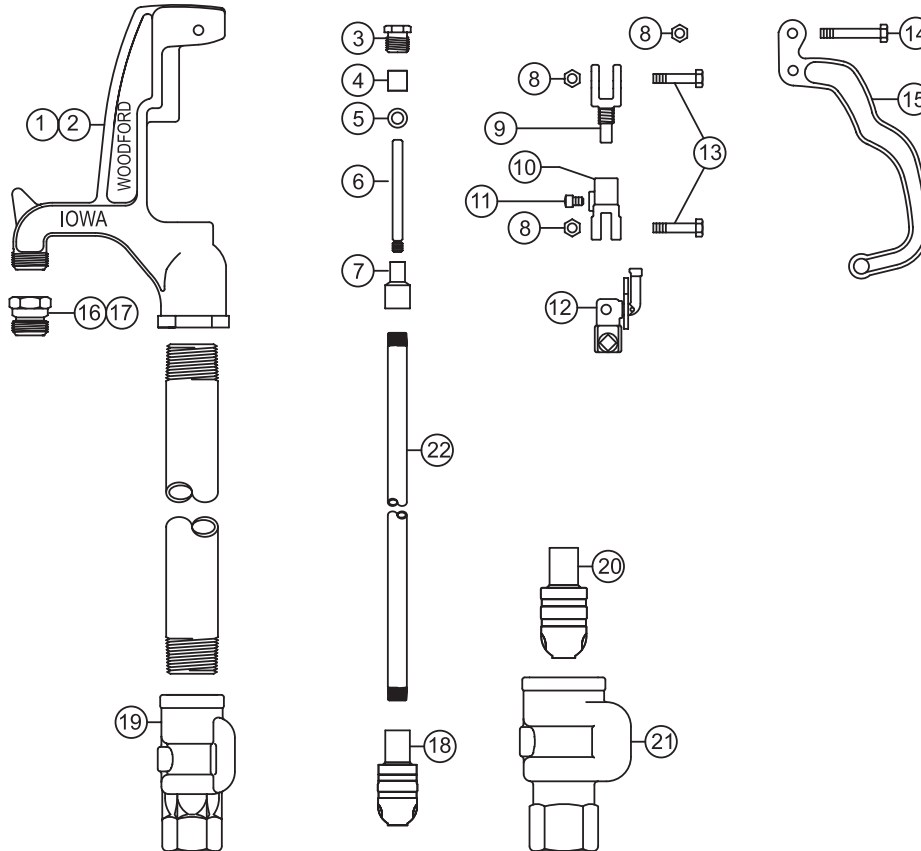
For Installation / Troubleshooting Instructions go to www.woodfordmfg.com or call 1-800-621-6032



When ordering, specify model and bury depth.

WOODFORD

Woodford
Excellence
 Since 1929
 Proudly Made In The U.S.A.



MODEL Y34 & Y1 PARTS LIST

| ITEM | PART# | DESCRIPTION |
|------|-------|--|
| | 15003 | Y34 Head Assembly (Includes Items 1, 3-16) |
| | 15001 | Y1 Head Assembly (Includes Items 2, 3-15 & 17) |
| 1 | 15004 | Y34 Head with 3/4" Nozzle |
| 2 | 15002 | Y1 Head with 3/4" Nozzle |
| 3 | 10100 | Packing Nut |
| 4 | 10101 | Packing |
| 5 | 10102 | Packing Support Washer |
| 6 | 10104 | Brass Rod Stem |
| 7 | 10011 | Reducing Coupling |
| 8 | 10206 | Hex Nut (3) |
| 9 | 10009 | Upper Link |
| 10 | 15007 | Lower Link (Includes Item 11) |
| 11 | 10019 | Set Screw (2) |
| 12 | 15008 | Cam & Clevis Assembly |
| 13 | 10020 | Link Bolt (2) |
| 14 | 10021 | Lever Bolt |
| 15 | 10008 | Lever |
| 16 | 10004 | 3/4" Brass Hose Nozzle (Standard) |
| 17 | 10007 | 1" Brass Hose Nozzle (Optional) |
| 18 | 10105 | Y34 Plunger |
| 19 | 10018 | Y34 Valve Body (3/4" NPT Inlet) |
| 20 | 10106 | Y1 Plunger |
| 21 | 10017 | Y1 Valve Body (1" NPT Inlet) |

| ITEM | PART# | DESCRIPTION |
|------|--|--------------------------------------|
| 22 | Y34 & Y1 OPERATING PIPE (Bury Depth & Length) | |
| | 10023 | 1' Bury (35 1/2" Long) |
| | 10024 | 2' Bury (47 1/2" Long) |
| | 10025 | 3' Bury (59 1/2" Long) |
| | 10026 | 4' Bury (71 1/2" Long) |
| | 10027 | 5' Bury (83 1/2" Long) |
| | 10028 | 6' Bury (95 1/2" Long) |
| | 10029 | 7' Bury (107 1/2" Long) |
| | 10030 | 8' Bury (119 1/2" Long) |
| | 10089 | 9' Bury (131 1/2" Long) |
| | 10090 | 10' Bury (143 1/2" Long) |
| | RK-Y34 | Repair Kit (Includes Items 3-6 & 18) |
| | RK-Y1 | Repair Kit (Includes Items 3-6 & 20) |
| | RK-YHL | Repair Kit (Includes Items 8-14) |

For more information contact...

WOODFORD MANUFACTURING COMPANY

2121 Waynoka Road, Colorado Springs, Colorado 80915 • Phone: (800) 621-6032 • Fax: (800) 765-4115

To view our complete product line visit: www.woodfordmfg.com or email: sales@woodfordmfg.com

A Division Of WCM Industries, Inc.