

# Tubular Brass

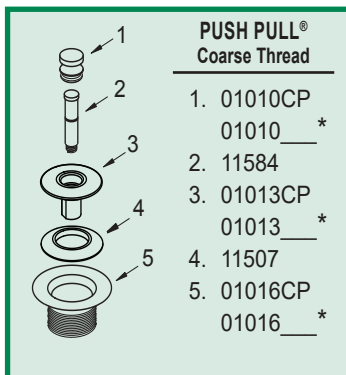
## Model 567 Through-Wall Model 568 Through-Wall

### Sturdy 1.5" 17g Tubular Brass Slip-Joint Assembly



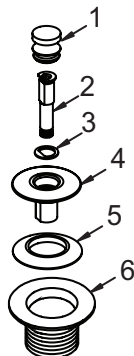
**ADA** PRESFLO® (PF) and  
Foot Actuated (FA) only

#### OPTIONAL TUB CLOSURES FOR 567/568-SERIES (PUSH PULL® ALSO SHOWN ABOVE)



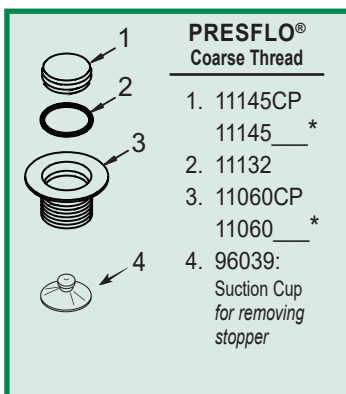
##### PUSH PULL® Coarse Thread

1. 01010CP  
01010\_\_\*
2. 11584
3. 01013CP  
01013\_\_\*
4. 11507
5. 01016CP  
01016\_\_\*



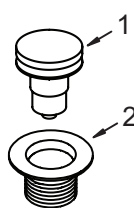
##### LIFT & TURN Coarse Thread

1. 01010CP  
01010\_\_\*
2. 11079
3. 11088
4. 11290CP  
01013\_\_\*
5. 11507
6. 11492CP  
01016\_\_\*



##### PRESFLO® Coarse Thread

1. 11145CP  
11145\_\_\*
2. 11132
3. 11060CP  
11060\_\_\*
4. 96039:  
Suction Cup  
for removing  
stopper



##### FOOT ACTU- ATED Coarse Thread

1. 38412-CP  
38412-\_\_\*
2. 11492-CP  
01016-\_\_\*

*\*If finish other than Chrome is desired, please use this part number and indicate desired finish.*

**WATCO**



Always a step ahead

For More Information Contact:  
**WATCO Manufacturing Company, LLC**  
1220 South Powell Road  
Independence, MO 64057-2724  
Ph. 816-796-3900  
<https://www.watcomfg.com>

### SPECIFICATIONS

#### FEATURES:

- For Chicago code through-the-wall applications
- Designed for heavy-duty use in hotels, motels, and rental properties
- Retainer plate for overflow ell
- Replaceable drip-proof Buna-N-Seal
- Metal strainer body for cast iron or plastic tubs

#### PATENTS:

- <https://www.watcomfg.com/patents>

#### THREAD SIZE (Strainer Body and Drain Elbow):

- 1 1/2" – 1 1/2" NPSM (Coarse Thread)
- 1.865" Major Diameter (outside thread diameter)
- 11.5 threads per inch

#### PIPING:

- 17g tubular brass

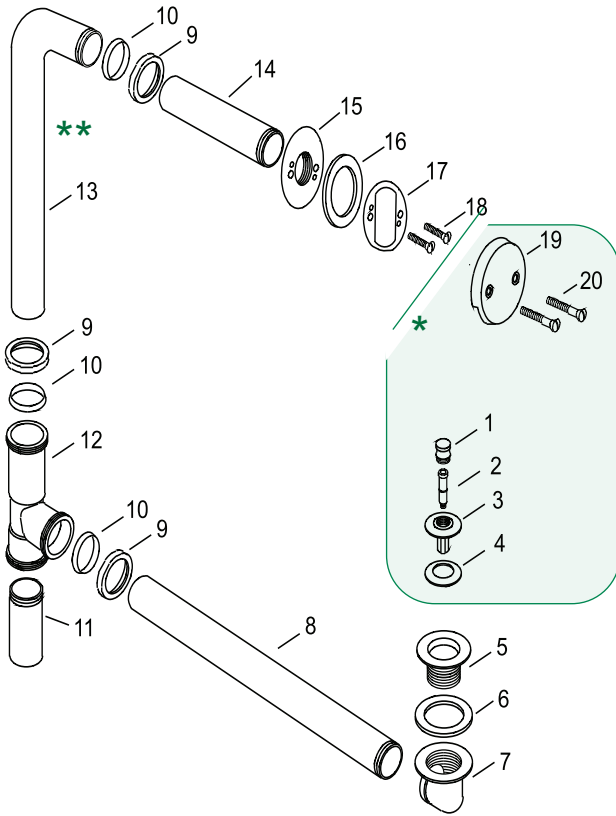
#### OPTIONS:

- Brass Ferrules (add code "F" to part number)
- Slip-'N-Solder (no compression slip joints; Code "U")
- Special lengths available:
  - Overflow tube (#14 pictured) extension (add code "EXlength") *example: 567-PP-BRS-CP-EX6*
  - Drain Ell (#8 pictured) extension (add code "Dlength") *example: 567-PP-BRS-CP-D4*

#### Finishes Available in the 567/568 Series:

Tub Closure:	PUSH PULL®	LIFT & TURN	PRES-FLO®	FOOT ACT.	T42
AP - Aged Pewter	•	•	•		
BB - Brushed Bronze	•	•	•	•	
BN - Brushed Nickel	•	•	•	•	•
BO - Bone	•	•			
BS - Biscuit	•	•			
BZ - Oil-Rubbed Bronze	•	•	•	•	•
CB - Chrome Brushed	•	•	•	•	•
CP - Chrome Plated	•	•	•	•	•
NP - Nickel Polished	•	•	•	•	•
PB - Polished Brass	•	•	•	•	•
WH - White	•	•		•	

# 567 / 568 Series Parts List

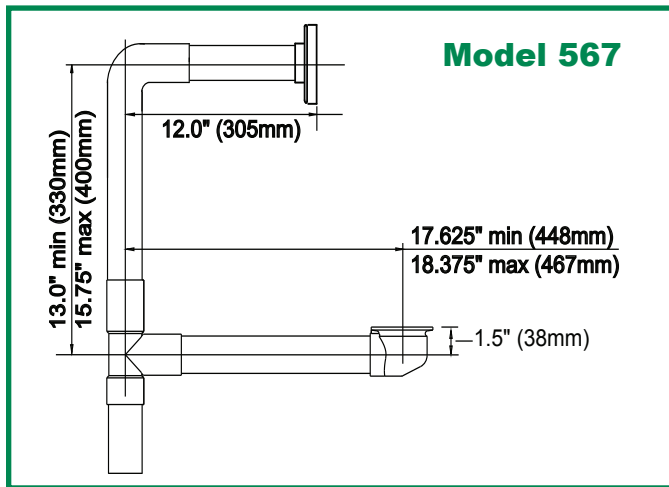


\* SF: (example: 501-PPSE) Parts #1 thru #4 and #18 thru #19

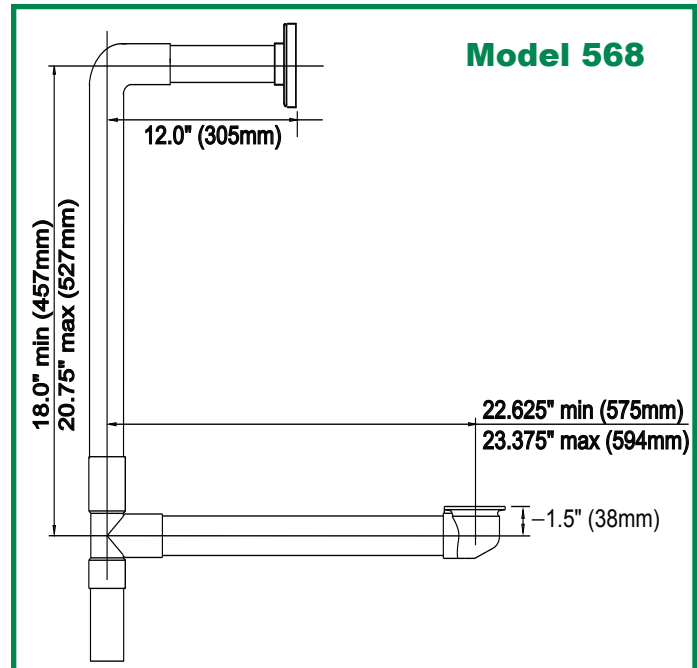
\*\* RI: (example: 567-PPRI) Parts #5 thru #17

Item	Part #	Description
1.	01010CP.....	PUSH PULL® Knob, metal
2.	11510 .....	Friction Ring (11505) and Post (11532)
3.	01013CP.....	Stopper, brass
4.	11507.....	Seal, 1-1/16" dia.
5.	01016CP.....	Strainer Body, brass, 1.865"-11.5-1.25"
6.	10696 .....	Drain Ell Washer, 1.5" gray
7.	44006 .....	Brass Drain Ell, 1 1/2" - 11.5
8.	<b>For 567:</b> 17GA-15.62	Drain Ell Tube, brass, 15.625"
	<b>For 568:</b> 17GA-20.62	Drain Ell Tube, brass, 20.625"
9.	41580.....	Brass Slip Joint Nut
10.	11583.....	Slip Joint Polywasher
11.	17GA-3.5 .....	Tail Piece, brass, 3.5"
12.	44001.....	Brass Tee
13.	<b>For 567:</b> 41040	Chicago OF Tube, 1.5" O.D. x 17 ga, 12"
	<b>For 568:</b> 41041	Chicago OF Tube, 1.5" O.D. x 17 ga, 17"
14.	17GA-9.625 .....	Overflow Tube, 1.5" O.D. x 17 ga, 9.625"
15.	44013.....	Chicago Overflow Flange
16.	10675.....	Overflow Ell Washer, Foam
17.	11533 .....	Chicago Alignment Plate
18.	41540.....	Brass Screw for brass retainer plate
19.	01003CP.....	Overflow Plate, 2-Hole, metal
20.	01024CP.....	Overflow Plate Screw, brass, 2.25"

## 567 Roughing-In Dimensions



## 568 Roughing-In Dimensions



For More Information Contact:  
**WATCO Manufacturing Company, LLC**  
 1220 South Powell Road  
 Independence, MO 64057-2724  
 Ph. 816-796-3900  
<https://www.watcomfg.com>