

# Tubular Brass

**Innovator® 591/592**  
For most regular tubs

**Innovator® 598/599**  
For most deeper tubs

**Sturdy 1.5" 17g Tubular Brass  
Slip-Joint Assembly  
SPECIFICATIONS**

**FEATURES:**

- Eliminates all screws
- Eliminates leaks due to loose overflow attachment
- Eliminates dual inventory of one- and two-hole overflow plates
- Metal strainer body for cast iron or plastic tubs
- Designed for heavy-duty use in hotels, motels, and rental properties

**APPROVALS:**

- Manufactured in compliance with ASME A112.18.2-2005/CSA B125.2-2005.

**PATENTS:**

- <https://www.watcomfg.com/patents>

**THREAD SIZE (Strainer Body and Drain Elbow):**

- 1 1/2" – 1 1/2 NPSM (Coarse Thread)
- 1.865" Major Diameter (outside thread diameter)
- 11.5 threads per inch

**PIPING:**

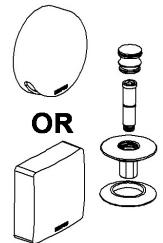
- 17 Gauge (591/598)     20 Gauge (592/599)

**STOPPER/FACEPLATE'S**

(example: 591-LTSF-0-CP)

Made up of the overflow plate and stopper assembly; NO strainer body.

(See next page for available stopper assemblies.)



 **ADA**    PRESFLO® (PF) and Foot Actuated (FA) only

**OPTIONS:**

- Brass Ferrules (add code "F" to part number)
- New York Lay-Down Tee (add code "NY" to part number)
- Slip-'N-Solder (no slip joints; code "U")
- Special lengths available:
  - Overflow extension (code "EXlength") example: EX6
  - Drain extension (code "Dlength") example: D4
- W-Overflow Cover (see other side)

See price list for complete item numbers and available options.

When ordering, please specify complete item number and any applicable option codes.

**WATCO**

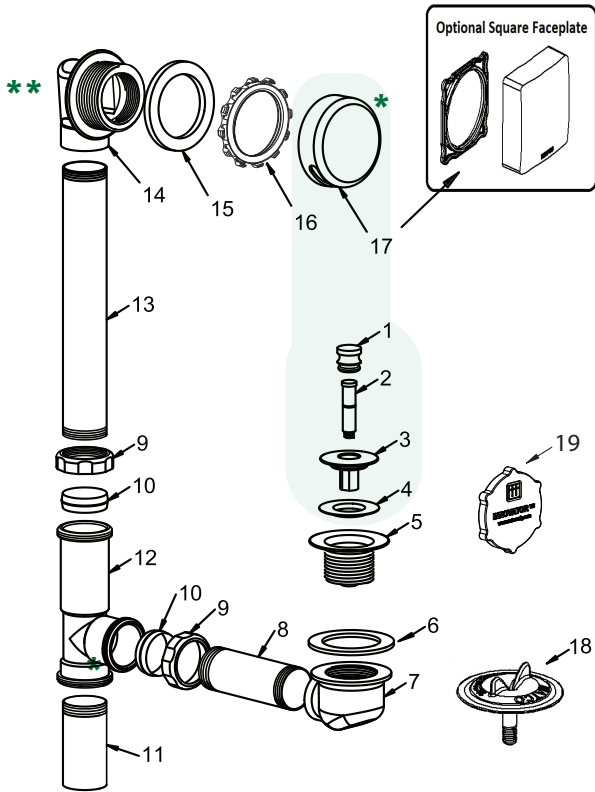


For More Information Contact:  
**WATCO Manufacturing Company, LLC**  
1220 South Powell Road  
Independence, MO 64057-2724  
Ph. 816-796-3900 • FAX 816-796-0875  
[www.watcomfg.com](http://www.watcomfg.com)

**Finishes Available in the 591/598 Series:**

Finishes Available in the 591/598 Series:	PUSH PULL®	LIFT & TURN	PRES-FLO®	FOOT ACT.	T42
AP - Aged Pewter	•	•	•		
BB - Brushed Bronze	•	•	•	•	
BN - Brushed Nickel	•	•	•	•	•
BO - Bone	•	•			
BS - Biscuit	•	•			
BZ - Oil-Rubbed Bronze	•	•	•	•	•
CB - Chrome Brushed	•	•	•	•	•
CP - Chrome Plated	•	•	•	•	•
NP - Nickel Polished	•	•	•	•	•
PB - Polished Brass	•	•	•	•	•
WH - White	•	•	•	•	
WI - Wrought Iron	•	•	•	•	

# 591/598 Series Parts List



Item	Part #	Description
1	01010CP	Knob, Brass
2	11584	Friction Ring (11504) and Post (11508)
3	01013CP	Stopper, Brass
4	11507	Seal, 1 1/16" dia.
5	01016CP	Strainer Body, Brass, 11/2" – 111/2
6	10696	Drain Ell Washer, 1.5", gray
7	44006	Drain Ell, Brass
8	17GA-4.75	For 591 Drain Ell Tube, 17g, 4.75"
	20GA-4.75	For 592 Drain Ell Tube, 20g, 4.75"
	17GA-9.625	For 598 Drain Ell Tube, 17g, 9.625"
	20GA-9.625	For 599 Drain Ell Tube, 20g, 9.625"
9	41580	Brass Slip Nut
10	11583	Slip Joint Polywasher
11	17GA-3.5	For 591 Tail Piece, 17g, 3.5"
	20GA-3.5	For 592 Tail Piece, 20g, 3.5"
	17GA-9.625	For 598 Tail Piece, 17g, 9.625"
	20GA-9.625	For 599 Tail Piece, 20g, 9.625"
12	44001	Brass Tee
13	17GA-9.625	For 591 Overflow Ell Tube, 17g, 9.625"
	20GA-9.625	For 592 Overflow Ell Tube, 20g, 9.625"
	17GA-18.125	For 598 Overflow Ell Tube, 17g, 18.125"
	20GA-18.125	For 599 Overflow Ell Tube, 20g, 18.125"
14	44005	Overflow Ell, Brass for Innovator®
15	10675	Overflow Ell Washer for Brass
16	11121	Star Retainer Nut for Innovator®
17	01005CP	Square Retainer Nut for Innovator®
	01005CP	Innovator® Overflow Plate
18	11114	Innovator® Test Cap
19	11577	Test Plug w/O-Ring-type Gasket

\* SF: (example: 900-PPSF) Parts #1 thru #4, and #17

\*\* RI: (example: 591-PPRI) Parts #5 thru #16, #18 and #19

## OPTIONAL TUB CLOSURES FOR 591/598-SERIES BATH WASTES (PUSH PULL® ALSO SHOWN ABOVE)

**PUSH PULL®**  
Coarse Thread

1.	01010CP
	01010__*
2.	11584
3.	01013CP
	01013__*
4.	11507
5.	01016CP
	01016__*

**LIFT & TURN**  
Coarse Thread

1.	01010CP
	01010__*
2.	11079
3.	11088
4.	11290CP
	01013__*
5.	11507
6.	11492CP
	01016__*

**PRESFLO®**  
Coarse Thread

1.	11145CP
	11145__*
2.	11132
3.	11060CP
	11060__*
4.	96039:
	Suction Cup for removing stopper

**FOOT ACTUATED**  
Coarse Thread

1.	38412-CP
	38412-__*
2.	11492-CP
	01016-__*

\*If finish other than Chrome is desired, please use this part number and indicate desired finish.

### WITH OPTIONAL OVERFLOW COVER

Fits Kohler's Tea-for-Two tub.



**591-\_\_-BRS-CP-T42**  
BN-BZ-CB-NP-PB

Part #01001CP replaces  
#01005CP (#17 above).

