

Watco Manufacturing Submittal Sheet

Job Name _____ Item Designation _____
 Job Location _____ Contractor _____
 Engineer _____ Representative _____

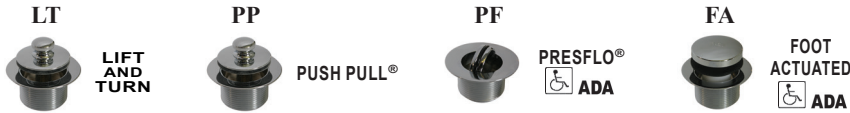
Watco 901 Innovator® Half Kit

Features:

- Extends into tub through overflow; tightens securely with retainer nut
- Overflow ell is self-centering, self-aligning and won't slip
- Eliminates costly behind-tub leaks
- Includes drain test plug and overflow test membrane; testable up to five floors (22 psi)
- No tools required
- Available with Circular or Square overflow faceplate excluding White
- Available in PVC and ABS

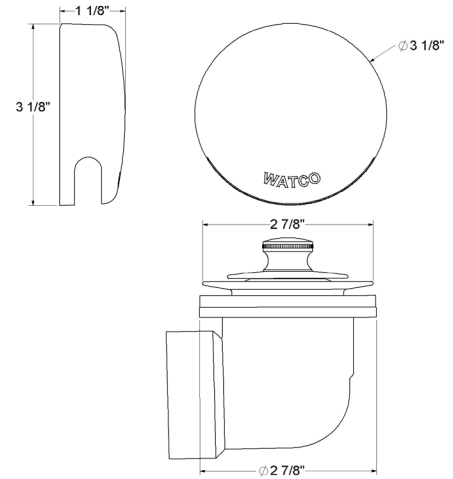
Approvals:

- Manufactured in compliance with ASME A112.18.2- 2015/ CSA B125.2-2015.

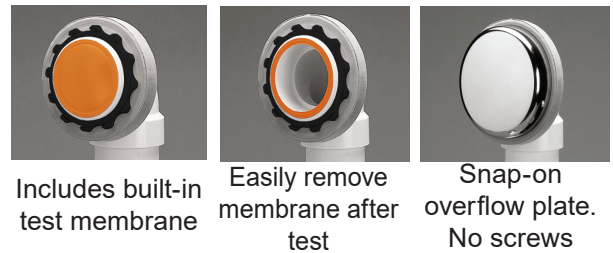


#11577 Test Plug Included with all 901 Bath Kits

Finish	Watco Part #	Stopper*	Quantity
PVC			
Chrome	901-__-PVC-CP		
Brushed Nickel	901-__-PVC-BN		
Wrought Iron (Matte Black)	901-__-PVC-WI		
Oil Rubbed Bronze	901-__-PVC-BZ		
White**	901-__-PVC-WH		
ABS			
Chrome	901-__-ABS-CP		
Brushed Nickel	901-__-ABS-BN		
Wrought Iron (Matte Black)	901-__-ABS-WI		
Oil Rubbed Bronze	901-__-ABS-BZ		
White**	901-__-ABS-WH		



* Provide Stopper Type
 Example 901-PP-PVC-CP
 **Square Plate not available in White



For More Information Contact:
WATCO Manufacturing Company
 1220 South Powell Road
 Independence, MO 64057-2724
 Ph. 816-796-3900 • FAX 816-796-0875
www.watcomfg.com



Overflow ell extends through Overflow