

PRESFLO® Tub Trim Kits

SPECIFICATIONS

FEATURES:

- Metal strainer body, 1.25" deep
- Metal overflow plate, 3.375" wide
- Designed for heavy-duty use in hotels, motels, and rental property
- Adapter bar for changing from two to one-hole overflow plate

PATENTS:

- <https://www.watcomfg.com/Patents>

OPERATION:

- Push down on any edge of stopper to open and close.



Finishes Available in the PRESFLO® Series:

Trim Kits:	38250	38260	38270	38280
CP Chrome Plated	•	•	•	•
AP Aged Pewter	•	•	•	•
BB Brushed Bronze	•	•	•	•
BN Brushed Nickel	•	•	•	•
BZ Oil-Rubbed Bronze	•	•	•	•
CB Chrome Brushed	•	•	•	•
NP Nickel Polished	•	•	•	•
PB Polished Brass	•	•	•	•
WI Wrought Iron	•	•	•	•

See price list for complete item numbers and available options.

When ordering, please specify complete item number and any applicable option codes.

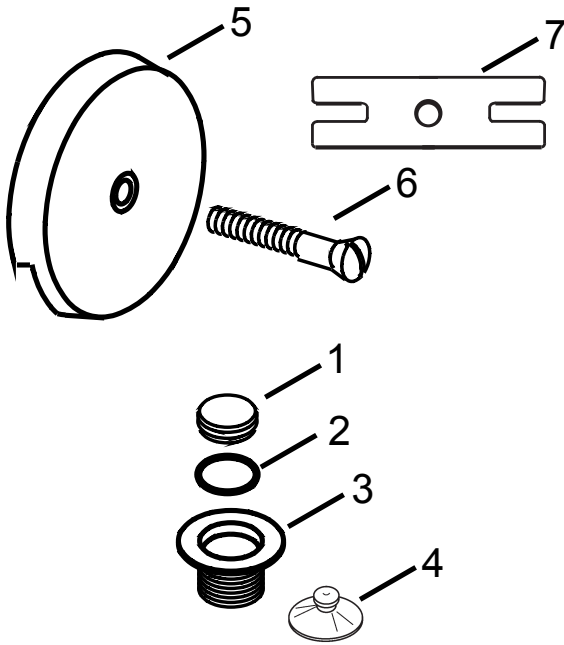
WATCO



Always a step ahead

For More Information Contact:
WATCO Manufacturing Company
 1220 South Powell Road
 Independence, MO 64057-2724
 Ph. 816-796-3900 • FAX 816-796-0875
www.watcomfg.com

PRESFLO® TRIM KIT PARTS LIST



For a 2-hole overflow plate (#01003__), add "2H" to end of part number (example: 38250-CP-2H).

Item	Part #	Description
WITH COARSE-THREAD BODY:		
1	11145__*	PRESFLO® Stopper, Plastic, for 11.5-thread
	11140__*	PRESFLO® Stopper, Brass, CP and PB only
2	11132	PRESFLO® O-Ring Seal for 11140-45 stoppers
3	11060__*	PRESFLO® Strainer Body, 1.865"-11.5-1.25"
4	96039	Suction Cup for removing stopper
5	01002__*	1-Hole Overflow Plate, metal
6	01024__*	Overflow Plate Screw, 2.25"
7	11641	Adapter Bar
WITH FINE-THREAD BODY:		
1	11155__*	PRESFLO® Stopper, Plastic, for 16-thread
	11150__*	PRESFLO® Stopper, Brass, all PF finishes
2	11131	PRESFLO® O-Ring Seal for 11150-55 stoppers
3	11070__*	PRESFLO® Strainer Body, 1.625"-16-1.25"
4	96039	Suction Cup for removing stopper
5	01002__*	1-Hole Overflow Plate, metal
6	01024__*	Overflow Plate Screw, 2.25"
7	11641	Adapter Bar
*Please indicate desired finish.		