

# Schedule40

## Innovator® Shower Drain SPECIFICATIONS



### FEATURES:

- Includes Innovator test membrane; testable up to five floors (22 psi)
- No test plug or test ball required
- Available in Chrome, Brushed Nickel, Oil-Rubbed Bronze, and Matte Black finishes.
- Push down on the membrane to break the weld joint, then remove from drain. Membrane is larger than drain opening and will not fall down the drain.
- Protective cover snaps onto Metal Grid or Top Plastic Flange to eliminate debris falling down the drain

### APPROVALS:

- Manufactured in compliance with ASME A112.18.2- 2015/CSA B125.2-2015.

### PATENTS:

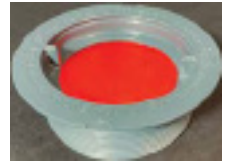
- [www.watcomfg.com/patents](http://www.watcomfg.com/patents)

### THREAD SIZE (Body):

- 3¼ -10

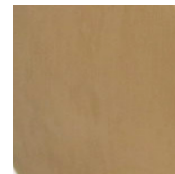
Material:  PVC  ABS

Heavy-duty snap-on grid

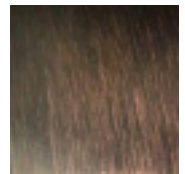


Heavy-duty snap-on  
Protective cover

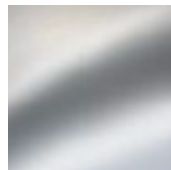
### FINISHES:



Brushed  
Bronze (BB)



Oil-Rubbed  
Bronze (BZ)



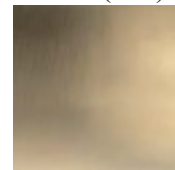
Chrome (CP)



Brushed  
Gold (BG)



White (WH)



Brushed  
Nickel (BN)

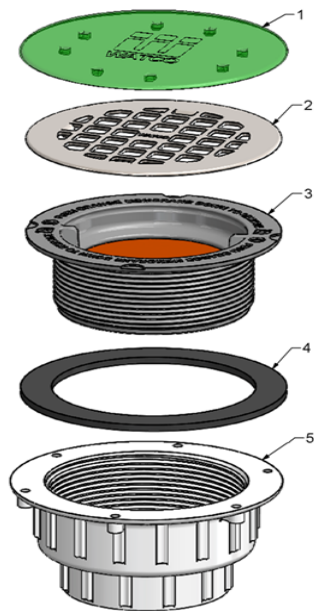


Matte  
Black (WI)



For More Information Contact:  
WATCO Manufacturing Company, LLC  
1220 South Powell Road  
Independence, MO 64057-2724  
Ph. 816-796-3900 • FAX 816-796-0875  
[www.watcomfg.com](http://www.watcomfg.com)

# Innovator® Shower Drain Parts List



Item	Part #	Description
1	11117	Shower Protective Cover
2	9300G-	Grid - Multiple Finishes
3	14047	Shower Drain Top Thread Flange
4	11567	Shower Drain Seal
5	11037	Shower Drain Receptor ABS
	14037	Shower Drain Receptor PVC

## Part # and Finishes Available in the Innovator® Shower Drain:

Finish	Part #
<b>PVC</b>	
Chrome	9300-PVC-CP
Brushed Bronze	9300-PVC-BB
Brushed Nickel	9300-PVC-BN
Brushed Gold	9300-PVC-BG
Oil Rubbed Bronze	9300-PVC-BZ
White	9300-PVC-WH
Wrought Iron (Matte Black)	9300-PVC-WI
<b>ABS</b>	
Chrome	9300-ABS-CP
Brushed Bronze	9300-ABS-BB
Brushed Nickel	9300-ABS-BN
Brushed Gold	9300-ABS-BG
Oil Rubbed Bronze	9300-ABS-BZ
White	9300-ABS-WH
Wrought Iron (Matte Black)	9300-ABS-WI
<b>Grid Only</b>	
Chrome	9300G-CP
Brushed Bronze	9300G-BB
Brushed Nickel	9300G-BN
Brushed Gold	9300G-BG
Oil Rubbed Bronze	9300G-BZ
White	9300G-WH
Wrought Iron (Matte Black)	9300G-WI
<b>Shower Drain Rough In</b>	930NG-PVC
	930NG-ABS

## Roughing-In Dimensions

